

# Washer extractors

## W4280X, W4350X, W4600X

### Features and benefits

- Available with two types of program controls:
- Compass Control® with (only W4280X, W4350X):**
  - Large display and one dial for easy program selection
  - Language selection
  - Two Quick Start buttons for frequently used wash programs
  - Wash program packages optimized on *Economy, Performance and Time*
- Clarus Control® with:**
  - Fully programmable microprocessor
  - All relevant wash parameters can be programmed
  - Programming from key pad or downloading via memory card
- Large door opening for easy loading/unloading
- Super Balance, software ensure a quick distribution/extraction cycle with low noise/vibration level
- Frequency controlled motor
- Prepared for manual or automatic detergent supply
- Stainless steel in all vital parts for high degree of rust protection
- Stainless steel front panels and powder painted side panels
- Non-heated or direct steam heating
- Electrical heating (only W4350X, W4600X)



### Main options

- Stainless steel panels
- Coin-meter (only W4280X, W4350X)
- Five compartment supply injector (only W4600X)
- Third water inlet valve (only W4600X)

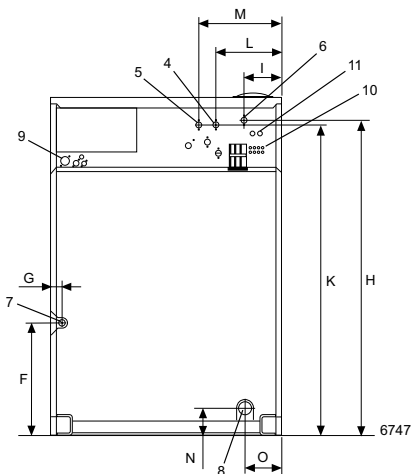
Main specifications				W4280X	W4350X	W4600X		
Rated capacity, filling factor 1:10		kg/lb	28/62	35/77	60/135			
Drum, volume		litre	280	350	600			
	diameter	ø mm	830	920	980			
Extraction max		rpm	805	650	630			
G-factor			300	220	220			
Heating alternatives, 230/400V	electricity	kW	-	25	40.8			
	steam		x	x	x			
	non-heated		x	x	x			
<b>Consumption data "Normal 60°C" 1:10*</b>				Steam	El	Steam	El	Steam
Total time		min	**	49	**	45	**	**
Water consumption (cold/hot)		litre	308/-	313/62	375/-	598/105	703/-	
Energy consumption (motor/heating)		kWh	0.35/-	0.5/2.4	0.5/-	2.1/5.4	2.1/-	
Steam consumption		kg	7.3	-	9.5	-	16	

\* Water temperature 15°C cold water and 65°C hot water.  
 \*\* Depending on steam pressure.

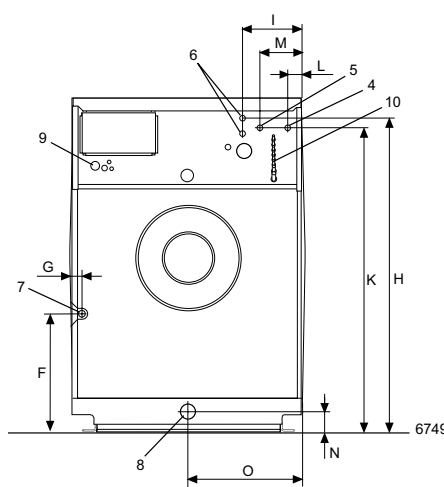
Electrical connections*			W4280X	W4350X	W4600X
Heating Voltage					
EI.	230V 3AC 50/60Hz	kW(A)	-	25(63)	40.3(80)
	400-415V 3N AC 50Hz	kW(A)	-	25(50)	40.8(63)
Steam or non-heated	208-240V 1AC 50/60Hz	kW(A)	1.5(16)	2.5(16)	-
	230V 3AC 50/60Hz	kW(A)	-	-	2.1(10)
	400-415V 3AC 50Hz	kW(A)	-	-	2.8(10)
Water and steam connection					
Water valves	DN/inch		20/ 3/4	20/ 3/4	25/1
Rec. water pressure	kPa		200-600	200-600	200-600
Capacity at 300 kPa	l/min		60	60	110
Drain valve	Ø mm/inch		75/3	75/3	75/3
Steam valve	DN/inch		15/ 1/2	15/ 1/2	20/ 3/4
Rec. steam pressure	kPa		300-600	300-600	300-600
Floor requirements					
Frequency of the dynamic force	Hz		13	10.8	10.5
Max floor load at extraction	kN		5 ± 11.5	6.5 ± 14	9 ± 22
Heat emission					
% of installed power, max			5	5	5
Shipping data					
Weight	net, kg		380	560	775
Dimensions					
A	Width		935	1085	1145
B	Depth		970	1105	1185
C	Height		1455	1570	1670
D			515	530	600
E			120	120	120
F			400	525	800
G			55	55	65
H			1365	1465	1585
I			230	185	305
K			1325	1445	1540
L			315	315	75
M			395	395	215
N			120	120	105
O			170	190	570
P			-	-	1390
R			-	-	50

- 1 Control panel
- 2 Soap box (only W4280X, W4350X)
- 2A Soap box (only W4600X)
- 3 Door opening ø410 (W4280X), ø535 (W4350X, W4600X)
- 4 Cold water
- 5 Hot water
- 6 Cold or hot water (optional for W4600X)
- 7 Steam connection
- 8 Drain
- 9 Electrical connection
- 10 Liquid detergent supply
- 11 Water reuse

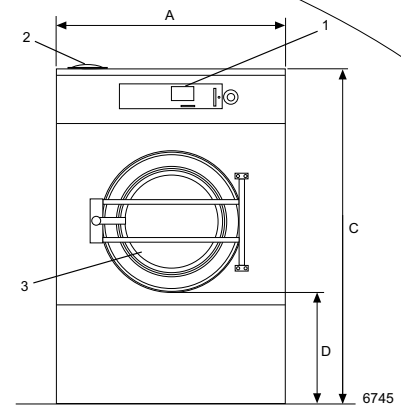
\* Other voltages available, see installation manual.



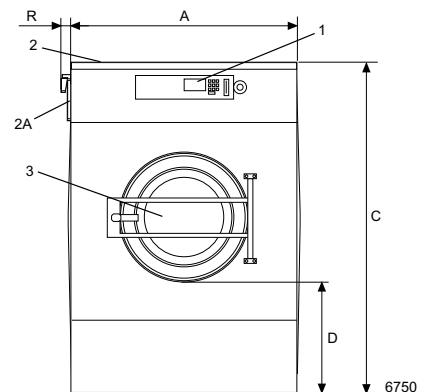
Rear side W4280X, W4350X



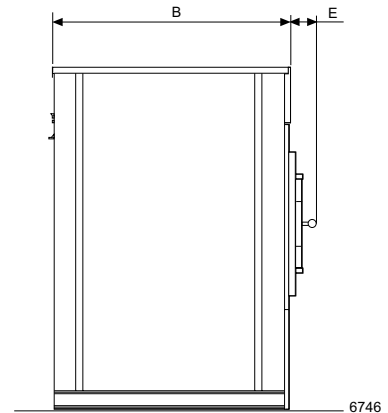
Rear side W4600X



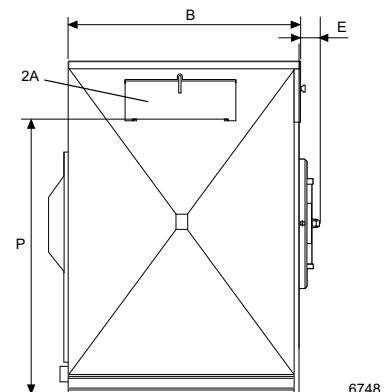
Front W4280X, W4350X



Front W4600X



Left side W4280X, W4350X



Left side W4600X