

**New**



**M**  
**45**

**43 kgs.**  
**95 lbs.**

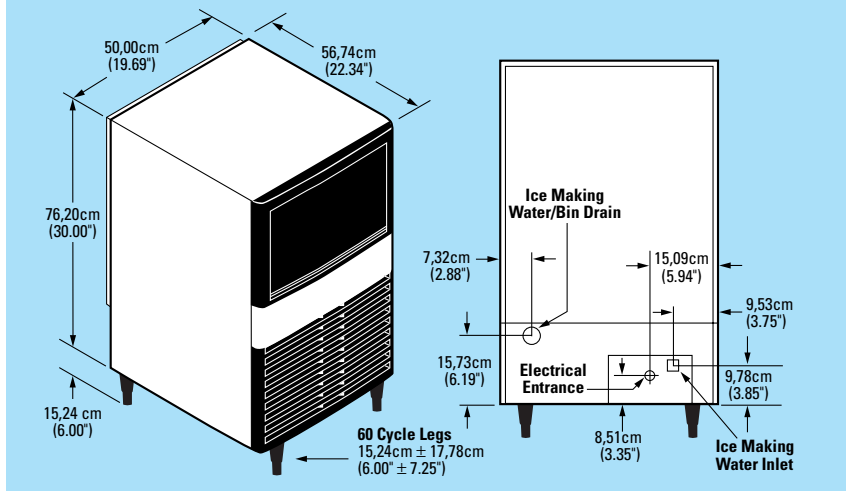


**Compact size.  
Produces up to 43  
kgs./95 lbs. of ice  
every 24 hours with  
a storage capacity  
of 14 kgs./30 lbs.  
Ideal for any small-  
volume ice need.**

- ◆ *Attractive Stainless Steel Cabinet – Euro-Design*
- ◆ *Easy Access Door, Slides Up & Out of the Way*
- ◆ *Patented Cleaning & Sanitizing Technology*
- ◆ *Easy Access Air Filter*
- ◆ *Front Air Intake & Exhaust*
- ◆ *CFC-FREE R-134A Refrigerant*
- ◆ *Maniowoc Proven Vertical Evaporator*
- ◆ *Computerized Control*
- ◆ *Patent-Pending Worldwide*
- ◆ *3 Year Parts & Labor Warranty*

  
**Maniowoc®**  
**ICE MACHINES**

# Q M 45



Model	Cube size	Ice production 24 hours	Power kWh/100 lbs.	Storage Bin Capacity
QM45A	dice	65 lbs. 30 kgs.	14.9	30 lbs. 14 kgs.
Water usage/100 lbs./45.4 kgs. of Ice • Potable Water: 38.6 gallons, 146 liters				

"A" following model number indicates "Air" cooled condensing unit.



**Certified and Rated in Accordance with ARI Standard 810-95, 820-95**

Test conditions for standard ratings are 90° F air, 70° F water, and 30 ± 3 psig water inlet pressure.

air temp	24-HOUR PRODUCTION †			
	lbs. kgs.			
°F	50°	70°	90°	
°C	10°	21°	32°	
70°	95	80	70	
21°	43	36	32	
80°	90	75	65	
27°	41	34	30	
90°	80	65	55	
32°	36	30	25	
100°	70	60	50	
38°	32	27	23	

**CUBE SIZE**

Dice: 19mm x 19mm x 19mm (7/8" x 7/8" x 7/8").



**ELECTRICAL**

115/60/1 ice machines are factory pre-wired with a 180 cm (6') power cord and NEMA 5-15P-plug configuration. (230/50/1 also available, see 50 cycle literature.)

**Total Amps:** 5.2 amps.

**Maximum fuse size:** 15 amps.

HACR-type circuit breakers can be used in place of fuses.

**COMPRESSOR**

1/4 HP.

**CONDENSER**

Air-cooled.

**OPERATING ENVIRONMENT**

Ambient temperature 1.7-43.3°C (35°-110°F).  
Potable water temperature 0.6-32.2°C (33°-90°F).  
Water pressure 138-551 kPa (20-80 psi).

**INSTALLATION CLEARANCE**

None required top and sides but allow space for water supply, drain, and electrical connection in back.

**AIR FILTER**



Quickly removed, slides out from left side front without tools, easy to clean, reusable filter protects condenser from lint, grease and dust.

**CLEANING SYSTEM**

Built-in cleaning and sanitizing technology.

**LEGS**

Adjustable from 15.24 to 17.78 cm. (6.00"-7.25"). (NSF)

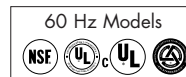
**ICE STORAGE**

One piece bin liner (seamless) "Rotocast" polyethylene.

**INSULATION**

Foamed-in-place with CFC-FREE foam.

**LISTINGS**



# Manitowoc® ICE MACHINES

Manitowoc Ice, Inc. ♦ Phone: 920-682-0161 ♦ Fax: 920-683-7589 ♦ Web Site: www.manitowocice.com

Form 9484A Litho in USA 6-99 ©1999 MANITOWOC

Continuing product improvement may necessitate change of specifications without notice.