

Q-Model Series 270 Ice Cube Machine

New



Q-Model Series 270

- Up to 290* lbs. (132 kgs.) daily ice production
*Production rating outside the scope of ARI Standard 820.
- Only 30" (76.2 cm) wide, 28.16" (71.52 cm) deep, and 38.50" (97.79 cm) high on 6" (15.24 cm) legs
- 100 lb. (45.45 kg) ice storage capacity
- Slide up and in bin door tucks under ice machine top cover. Patented ice damper maximizes ice storage capacity
- Stainless steel exterior with the fit and finish of an appliance
- Patented cleaning and sanitizing technology
- R-404A CFC-free refrigerant
- Warranty
 - 5-year parts and 5-year labor coverage on ice machine evaporator
 - 5-year parts and 3-year labor coverage on ice machine compressor
 - 3 year parts-and-labor coverage on all other components



ISO 9001
Quality
System
Certified

THE RIGHT CLIMATE FOR LEADERSHIP

**Manitowoc**[®]

ICE CUBE MACHINES • ICE STORAGE BINS

Manitowoc Q-Model 270 Series

A seamless blend of thoughtful design, new technology and rugged construction.

| Model | Cube size | Ice production lbs./Kgs. 24 hours | Power kWh/100 lbs. |
|---|-----------|-----------------------------------|--------------------|
| QR-0270A | regular | 200 lbs./91 Kgs. | 9.7 |
| QR-0271W | regular | 227 lbs./103 Kgs. | 7.8 |
| QD-0272A | dice | 215 lbs./98 Kgs. | 9.0 |
| QD-0273W | dice | 245 lbs./111 Kgs. | 7.3 |
| QY-0274A | half-dice | 215 lbs./98 Kgs. | 9.0 |
| QY-0275W | half-dice | 245 lbs./111 Kgs. | 7.3 |
| Water usage/100 Lbs./45.4 Kgs. of Ice | | | |
| Potable Water: 32 gallons, 121 Liters | | | |
| Water-cooled Condenser: 167 gallons, 632 Liters | | | |

*"A" or "W" following model number indicates "Air" or "Water" condensing unit.



Ice Machine Electric

115/60/1. (208-230/60/1 also available. For 230/50/1 see 50 cycle literature.) 115/60/1 ice machines are factory pre-wired with a 6' (180 cm) power cord and NEMA 5-15P -plug configuration. 208-230/60/1 ice machines are factory pre-wired with a 6' (180 cm) power cord only, no plug is supplied.

Total Amps:

Air-cooled — 9.9 amps. Water-cooled — 9.1 amps.

Maximum fuse size:

Air and Water-cooled — 20 amps.

HACR-type circuit breakers can be used in place of fuses.

Specifications

BTU Per Hour:

3,800 (average) 6,000 (peak)

Compressor:

Nominal rating: 1/2 HP

Cupra-Nickel Condenser:

(Water-cooled models)

Adds protection from corrosive water elements.

Operating Limits:

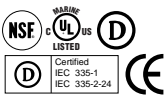
- Ambient Temperature Range: 35°-110°F (1.7°-43.3°C)

- Water Temperature Range: 33°-90°F (0.6°-32.2°C)

- Water Pressure Ice Maker Water In: Min 20 psi (137.9 kPa) Max 80 psi (551.1 kPa)

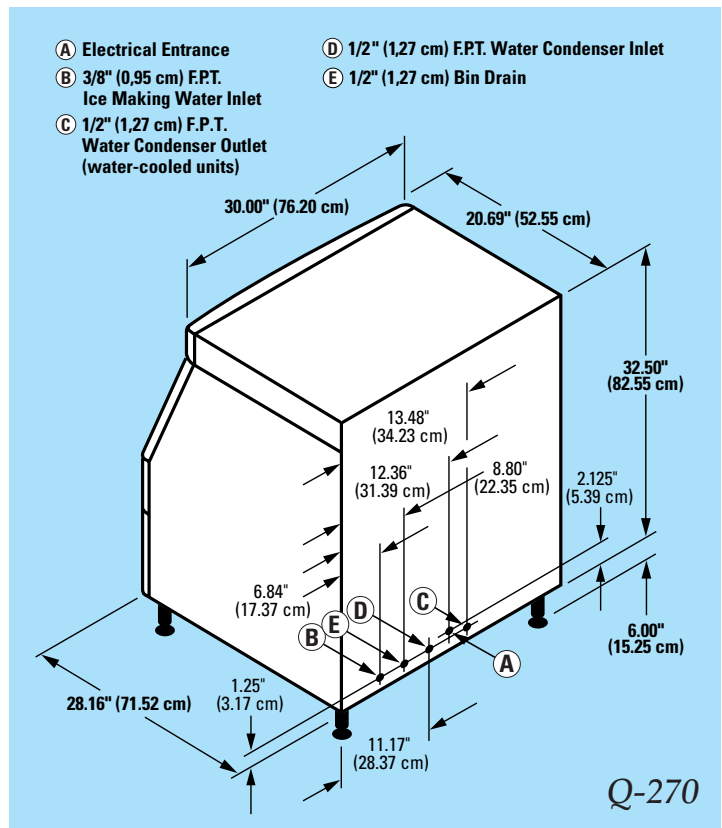
- Condenser Inlet Water In: (Water cooled only)

Min. 20 psi (137.9 kPa)
Max. 150 psi (1,034.2 kPa)



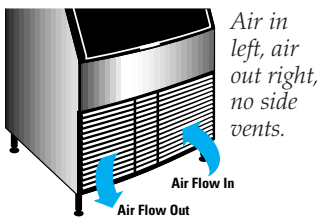
| 24-HOUR PRODUCTION † | | | | | | | | lbs. kgs. |
|----------------------|------------|-----|-----|-------------------|------------|-----|-----|-----------|
| AIR-COOLED UNIT | | | | WATER-COOLED UNIT | | | | |
| air temp | water temp | | | air temp | water temp | | | |
| °F | 50° | 70° | 90° | °F | 50° | 70° | 90° | |
| °C | 10° | 21° | 32° | °C | 10° | 21° | 32° | |
| 21° | 280 | 245 | 220 | 70° | 290 | 255 | 235 | |
| 80° | 127 | 111 | 100 | 21° | 132 | 116 | 107 | |
| 27° | 275 | 240 | 215 | 80° | 285 | 250 | 230 | |
| 90° | 125 | 109 | 98 | 27° | 130 | 114 | 105 | |
| 32° | 250 | 215 | 190 | 90° | 280 | 245 | 225 | |
| | 114 | 98 | 86 | 32° | 127 | 111 | 102 | |

†Production for Dice and Half Dice cubes. Regular cube is 7% less than chart.



Installation Note - There is no minimum clearance required, however recommended clearance for top, sides, and back is 5" (12.7 cm).

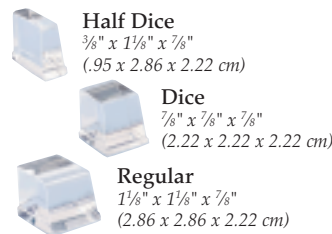
Air Flow Front View



Air Filter



3 Cube Sizes to Choose From



Front Access

Initiate ice, off and clean operations with simple upfront selector switch. No need to remove front panel.



THE RIGHT CLIMATE FOR LEADERSHIP

Consult your local Manitowoc Representative:

Manitowoc Ice, Inc.
 2110 South 26th Street, P.O. Box 1720 • Manitowoc, WI 54221-1720, USA
 Ph: 920-682-0161 • Fax: 920-683-7589 • Web Site: www.manitowocice.com

