

Q-Model Series 210 Ice Cube Machine

New



Q-Model Series 210

- Up to 220 lbs. (100 kgs.) daily ice production
- Only 26" (66.04 cm) wide, 26.50" (67.31 cm) deep, and 38.50" (82.55 cm) high on 6" (15.24 cm) legs
- 80 lb. (36.6 kg) ice storage capacity
- Slide up and in bin door tucks under ice machine top cover. Patented ice damper maximizes ice storage capacity
- Stainless steel exterior with the fit and finish of an appliance
- Patented cleaning and sanitizing technology
- R-404A CFC-free refrigerant
- Warranty
 - 5-year parts and 5-year labor coverage on ice machine evaporator
 - 5-year parts and 3-year labor coverage on ice machine compressor
 - 3 year parts-and-labor coverage on all other components



ISO 9001
Quality
System
Certified

THE RIGHT CLIMATE FOR LEADERSHIP

**Manitowoc**[®]

ICE CUBE MACHINES • ICE STORAGE BINS

Manitowoc Q-Model 210 Series

**A seamless blend of thoughtful design, new technology and rugged construction.
Produces up to 220 lbs. (100 kgs.) of ice per 24 hours.**

Model	Cube size	Ice production lbs./Kgs. 24 hours	Power kWh/100 lbs.
QR-0210A	regular	145 lbs./66 Kgs.	10.6
QR-0211W	regular	175 lbs./79.45 Kgs.	7.4
QD-0212A	dice	155 lbs./70 Kgs.	9.9
QD-0213W	dice	190 lbs./86 Kgs.	6.8
QY-0214A	half-dice	155 lbs./70 Kgs.	9.9
QY-0215W	half-dice	190 lbs./86 Kgs.	6.8
Water usage/100 Lbs./45.4 Kgs. of Ice			
Potable Water: 33.5 gallons, 127 Liters			
Water-cooled Condenser: 142 gallons, 537 Liters			

*"A" or "W" following model number indicates "Air" or "Water" condensing unit.



Certified and Rated in Accordance with ARI Standard 810/820-95

Test conditions for standard ratings are 90° F air, 70° F water, and 30 ± 3 psig water inlet pressure.

Ice Machine Electric

115/60/1. (208-230/60/1 and 230/50/1 also available, consult factory.) 115/60/1 ice machines are factory pre-wired with a 6' (180 cm) power cord and NEMA 5-20P-plug configuration. 208-230/60/3 and 230/50/1 ice machines are factory pre-wired with a 6' (180 cm) power cord only, no plug is supplied.

Total Amps:

Air-cooled — 7.8 amps. Water-cooled — 7.0 amps.

Maximum fuse size:

Air and Water-cooled — 15 amps.

HACR-type circuit breakers can be used in place of fuses.

Specifications

BTU Per Hour:

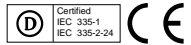
3,800 (average) 5,000 (peak)

Compressor:

Nominal rating: 1/3 HP

Cupra-Nickel Condenser:

(Water-cooled models)
Adds protection from corrosive water elements.



Operating Limits:

- Ambient Temperature Range: 35°-110°F (1.7°-43.3°C)

- Water Temperature Range: 33°-90°F (0.6°-32.2°C)

- Water Pressure Ice Maker Water In: Min 20 psi (137.9 kPa) Max 80 psi (551.1 kPa)

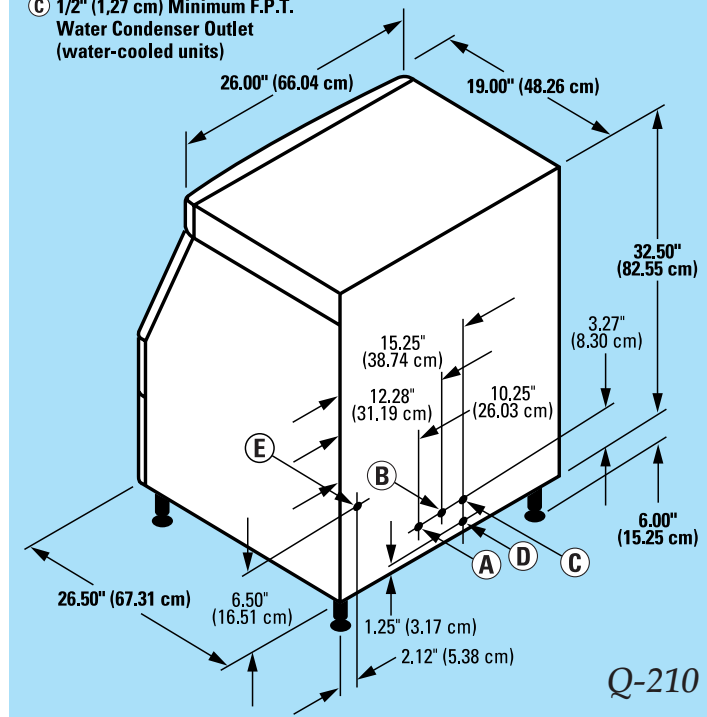
- Condenser Inlet Water In: (Water cooled only)

Min. 20 psi (137.9 kPa)
Max. 150 psi (1,034.2 kPa)

24-HOUR PRODUCTION †								lbs. kgs.
AIR-COOLED UNIT				WATER-COOLED UNIT				
air temp	water temp			air temp	water temp			
°F	50°	70°	90°	°F	50°	70°	90°	
°C	10°	21°	32°	°C	10°	21°	32°	
70°	215	185	165	70°	220	205	170	
21°	98	84	75	21°	100	93	77	
80°	200	170	150	80°	215	200	165	
27°	91	77	68	27°	98	91	75	
90°	185	155	135	90°	205	190	155	
32°	84	70	61	32°	93	86	70	

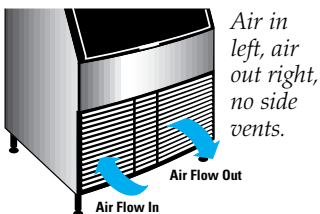
†Production for Dice and Half Dice cubes. Regular cube is 7% less than chart and kWh/100 lbs. increases 7%.

- (A) Electrical Entrance
- (B) 3/8" (0.95 cm) F.P.T. Ice Making Water Inlet
- (C) 1/2" (1.27 cm) Minimum F.P.T. Water Condenser Outlet (water-cooled units)
- (D) 3/8" (0.95 cm) F.P.T. Water Condenser Inlet
- (E) 3/4" (1.91 cm) Bin Drain



Installation Note - Recommended clearance for top, sides, and back is 5" (12.7 cm) however, there is no minimum clearance required.

Air Flow Front View



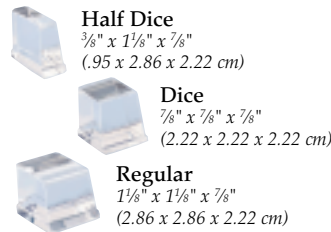
Air in left, air out right, no side vents.

Air Filter



Slides out from left side front without tools, easy to clean, reusable filter protects condenser from lint, grease and dust.

3 Cube Sizes to Choose From



Front Access

Initiate ice, off and clean operations with simple upfront selector switch. No need to remove front panel.



THE RIGHT CLIMATE FOR LEADERSHIP

Consult your local Manitowoc Representative:

Manitowoc Ice, Inc.
2110 South 26th Street, P.O. Box 1720 • Manitowoc, WI 54221-1720, USA
Ph: 920-682-0161 • Fax: 920-683-7589 • Web Site: www.manitowocice.com

