



Servend

M-45 and M-90
Countertop Ice Dispensers



M-45



M-90

Attractive, eye-catching
"ice" graphics.

45 to 90 lbs.
ice storage

Patented ice door mechanism
reduces ice spillage.

Servend's patented paddle wheel
ice dispenser technology maximizes
counter space and allows more ice to
be dispensed from the bin.

Push lever or push button
ice dispense available.

M-45 and M-90

Servend's ice dispensers' simple design, upfront serviceability and quality construction ensures long equipment life.





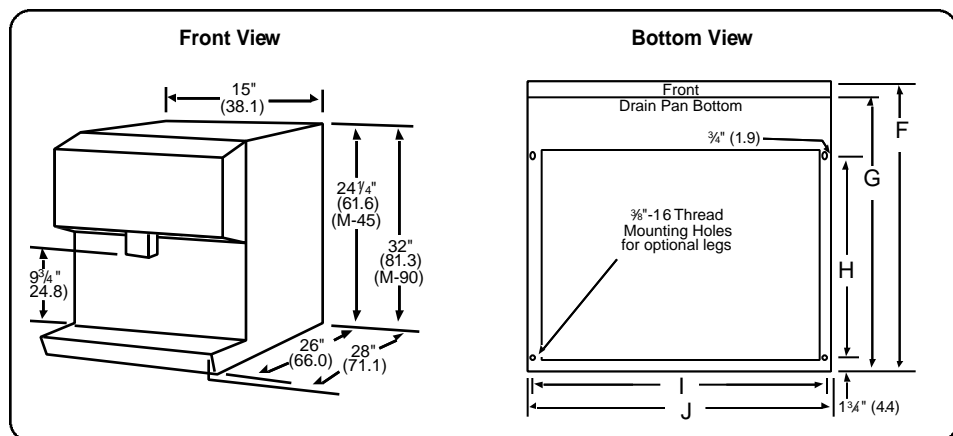
Servend

M-45 and M-90
Countertop Ice Dispensers

Specifications

	M-45	M-90
Standard Features	Stainless steel exterior cabinet with merchandiser and "Ice" sign, push lever ice dispense.	
Dimensions (Add 1.25" to height for lid)	15" W x 28" D x 24.25" H 38.1 W x 71.1 D x 61.6 H (cm)	15" W x 28" D x 32" H 38.1 W x 71.1 D x 81.3 H (cm)
Shipping Weights	67 lbs. / 30.5 kgs.	116 lbs. / 52.8 kgs.
Ice Storage Capacity	Up to 45 lbs. (20 kgs.)	Up to 90 lbs. (41 kgs.)
Electrical Requirements	120V/60Hz/2.5FLA 220V/50Hz/1 also available	
Drain	Two 3/4" PVC drain fittings (one pre-installed 3/4" PVC (N.P.T.) drain fitting extends from drain pan; a second extends from bin).	
Ice Cube Compatibility	Dispenses any size cube ice up to one inch square and some compacted flake forms. Flake ice is not recommended.	
Service	Motor, drain and electrical connections are front serviceable.	
Options	Lighted merchandiser, 4" leg kit, extended splash panel and push button ice dispense.	

- M-45 and M-90 ice dispensers will not accommodate a top-mounted ice machine. Manual fill only.
- Beverage valves are not available on M-45 and M-90 ice dispensers.



- **Manitowoc Ice Warranty**
Three years parts & labor.
Five years part warranty - compressor.
Five years parts & labor - evaporator.
- **Servend Warranty**
Two years limited parts warranty.
One year limited labor warranty.
- **Flomatic Warranty**
Two years parts only.



Manitowoc Beverage Equipment, Inc.
2100 Future Drive
Sellersburg, IN, U.S.A. 47172-1868
812-246-7000 / 800-367-4233
www.manitowocbeverage.com

© Servend, 2003



	F	G	H	I	J
M-45	28.125" (71.4)	26.375" (67.0)	19.375" (49.2)	12.75" (32.4)	15" (38.1)
M-90	28.125" (71.4)	26.375" (67.0)	19.375" (49.2)	12.75" (32.4)	15" (38.1)

